

## We are DEVELON

We trace our roots to 1937 as one of Korea's first large scale machine plant. Throughout time we have consistently delivered exceptional products and solutions.

DEVELON is a bold name that reflects our core ambition to continue developing onwards and leaving behind a positive footprint in our world. Moving forward, we seek to be part of our customers and partners' endeavor to build a better world.

Powered by **Innovation**



©2023 HD Hyundai Infracore. All rights reserved.  
HDPBE-01-2310

Certain specification(s) are based on engineering calculations and are not actual measurements. Specification(s) are provided for comparison purposes only and are subject to change without notice. Specification(s) for your individual Develon equipment will vary based on normal variations in design, manufacturing, operating conditions, and other factors. Pictures of Develon units may show other than standard equipment.

[develon-ce.com](http://develon-ce.com)

# DEVELON

## SD Wheel Loaders

# SD380 SD380-2





### NEW LOOK & ENHANCED STRUCTURE

- Applied new look with streamlined appearance and reinforced structure. With newly added LED lamp, SD380 and SD380-2's design represent a bold and functional brand style.

### RELIABILITY AND DURABILITY

- The advanced drive axle and improved differential gear process have increased gear flexural strength, enhanced the reliability of the drive axle and extended its lifespan.

### OPERATOR COMFORT

- Newly designed cabin is spacious and provides wider view and enhanced safety, with low noise & vibration levels and excellent all-round visibility.

### PRODUCTIVITY & PERFORMANCE

- The perfect blend of efficiency and power. The engine produces 178 kW at rated rpm. High power and impressive torque range enables to precisely deliver the stable working speed.
- With 3,400mm wheel-base and small turning radius of 6,058mm, designed for greater agility of movement and more efficient operation.
- Full auto transmission and power train features provide an efficient delivery of power on various works and conditions.(SD380)



# SD380-2

**REASONABLE AND  
PRACTICAL VETERAN**

# SD380

**POWERFUL PARTNER  
FOR TOUGH WORK**



## SD380

# UNRIVALLED WORK EFFICIENCY

### GEAR BOX

The torque converter gearbox perfectly matches the engine, gearshift-shock-improving technology efficiently prolongs the service life of it.

### THREE WORK MODES FOR EFFICIENCY

Operator can select a work mode considering work-load and fuel consumption for work.

### INDUSTRY-LEADING HYDRAULIC PARTS

The advanced hydraulic system work efficiency and durability. The pump minimizes power loss and make full use of power and energy.

### PERFECTLY MATCHED POWER TRAIN

Engine, transmission and axles are optimized and finely tuned for each other and produce powerful traction.



### ENGINE (WP10G240E343)

The perfect blend of efficiency and power. Engine produces 178 kW at 2,000 rpm. High power and impressive torque range enables to precisely deliver the stable working speed.

### ACCELERATION PERFORMANCE

The injection pump has undergone special debugging at a professional test bench and features greatly improved engine acceleration performance and speed.



## SD380

# SIMPLE MAINTENANCE

### EASY APPROACH

Both sides of the hood can be opened to the side. Making daily oil inspection and maintenance works quicker and more convenient.

### ENGINE AND RADIATOR ACCESS

Rear door opening angle increased up to 65°, making engine and radiator maintenance more convenient.

### TRIPLE FUEL FILTER

Triple fuel filters protect engine and fuel system from low quality fuel and make engine life longer. Highest efficiency filters remove water, dust & particles to protect your investment optimally.

### AIR CLEANER FOR DUSTY ENVIRONMENT

Special air cleaner for extremely dusty environment is applied to prevent dust in the desert area from permeating into the engine.

### LCD WINDOW FOR ERROR CODE

LCD window in the gauge panel shows error code and operator can recognize failures of the machine.

### QUICK CHANGEABLE BREAK DISCS

The use of quick-change brake discs allows the user to check brake pads for excessive wear at any time and change the brake pads more easily without needing to remove the tires.

## HARDENED DURABILITY



### REINFORCED PINS

Where workload are most severe, diameter of 6 pins is thicker than competitors by 5 ~ 10 mm.

### DURABLE AXLE DESIGN

More durable materials and technology were applied to machining gears.

### AUTOMATIC POWER-SHIFT TRANSMISSION

Minimal shift shock and excellent power transmission by applying ZF automatic power-shift transmission.

### DURABILITY TEST

All vital components should pass extensive and stringent standard durability test.

### SOLID FRAME STRUCTURE

The box-shaped structure of the rear frame side plates, the enhanced frame strength makes it easy to meet the challenge posed by harsh working conditions.



## SD380 ADVANCED CABIN FOR OPERATOR COMFORT

### CABIN COMFORT

Ample space, wide visual field and intuitive features will guarantee a pleasant work. Cabin also offers significant noise and vibration reduction.

### LED LAMP

Existing front lamp has been upgraded to LED and totally eight more lights have been added. Four additional LED lights on the front and two more on the back. New additional working lamp contributes to enhanced safety through improved illumination. It secures operator's visibility by preventing the shadow.

### JOYSTICK LEVER

Highly intuitive joystick lever enables easier and safer operations.

### ADJUSTABLE STEERING WHEEL

The adjustable steering wheel complies with ergonomic principles

### ERGONOMICALLY DESIGNED PEDALS

- Lessen the load of operator.
- The adjusted pedal angle relieves the pressure on ankle and joints, reducing operator's fatigue.

### DELUXE SEAT

High back, deep-seated position, dual armrests and multi-level spring shock absorption guarantee a comfortable operation.

### ROTATING BEACON (OPTIONAL)

For enhanced safety rotating beacon is equipped SD380 as optional, which gives the warning alarm while driving.

### NEW OPERATOR PANEL

The new instrument gauge panel has been changed simple and intuitively to put essential information right in front of the operator.





## SD380-2 OVERALL EFFICIENCY

### GEAR BOX

The torque converter gearbox perfectly matches the engine, gearshift-shock-improving technology efficiently prolongs the service life of it.

### INDUSTRY-LEADING HYDRAULIC PARTS

The advanced hydraulic system work efficiency and durability. The pump minimizes power loss and make full use of power and energy.

### PERFECTLY MATCHED POWER TRAIN

Engine, transmission and axles are optimized and finely tuned for each other and produce powerful traction.

### THREE WORK MODES FOR EFFICIENCY

Operator can select a work mode considering work-load and fuel consumption for work.



### ENGINE (WP10G240E341)

The perfect blend of efficiency and power. Engine produces 178 kW at 2,200 rpm. High power and impressive torque range enables to precisely deliver the stable working speed.

### ACCELERATION PERFORMANCE

The injection pump has undergone special debugging at a professional test bench and features greatly improved engine acceleration performance and speed.

## ENSURED RELIABILITY

### REINFORCED PINS

Where workload are most severe, diameter of 6 pins is thicker than competitors by 5 ~ 10 mm.

### DURABLE AXLE DESIGN

More durable materials and technology were applied to machining gears.

### TRANSMISSION SHAFT

Double bearing supporting propeller shaft in dual configuration. Lubricating oil can be infused easily, enhancing the durability.

### DURABILITY TEST

All vital components should pass extensive and stringent standard durability test.

### SOLID FRAME STRUCTURE

The box-shaped structure of the rear frame side plates, the enhanced frame strength makes it easy to meet the challenge posed by harsh working conditions.

## SD380-2 SIMPLE MAINTENANCE

### EASY APPROACH

Both sides of the hood can be opened to the side. Making daily oil inspection and maintenance works quicker and more convenient.

### ENGINE AND RADIATOR ACCESS

Rear door opening angle increased up to 65°, making engine and radiator maintenance more convenient.

### TRIPLE FUEL FILTER

Triple fuel filters protect engine and fuel system from low quality fuel and make engine life longer. Highest efficiency filters remove water, dust & particles to protect your investment optimally.

### AIR CLEANER FOR DUSTY ENVIRONMENT

Special air cleaner for extremely dusty environment is applied to prevent dust in the desert area from permeating into the engine.

### LCD WINDOW FOR ERROR CODE

LCD window in the gauge panel shows error code and operator can recognize failures of the machine.

### QUICK CHANGEABLE BREAK DISCS

The use of quick-change brake discs allows the user to check brake pads for excessive wear at any time and change the brake pads more easily without needing to remove the tires.





## SD380-2 ADVANCED CABIN AND OPERATOR COMFORT

### CABIN COMFORT

Ample space, wide visual field and intuitive features will guarantee a pleasant work. Cabin also offers significant noise and vibration reduction.

### LED LAMP

Existing front lamp has been upgraded to LED and totally eight more lights have been added. Four additional LED lights on the front and two more on the back. New additional working lamp contributes to enhanced safety through improved illumination. It secures operator's visibility by preventing the shadow.

### NEW OPERATOR PANEL

The new instrument gauge panel has been changed simple and intuitively to put essential information right in front of the operator.

### JOYSTICK LEVER

Highly intuitive joystick lever enables easier and safer operations.

### ERGONOMICALLY DESIGNED PEDALS

- Lessen the load of operator.
- The adjusted pedal angle relieves the pressure on ankle and joints, reducing operator's fatigue.

### DELUXE SEAT

High back, deep-seated position, dual armrests and multi-level spring shock absorption guarantee a comfortable operation.

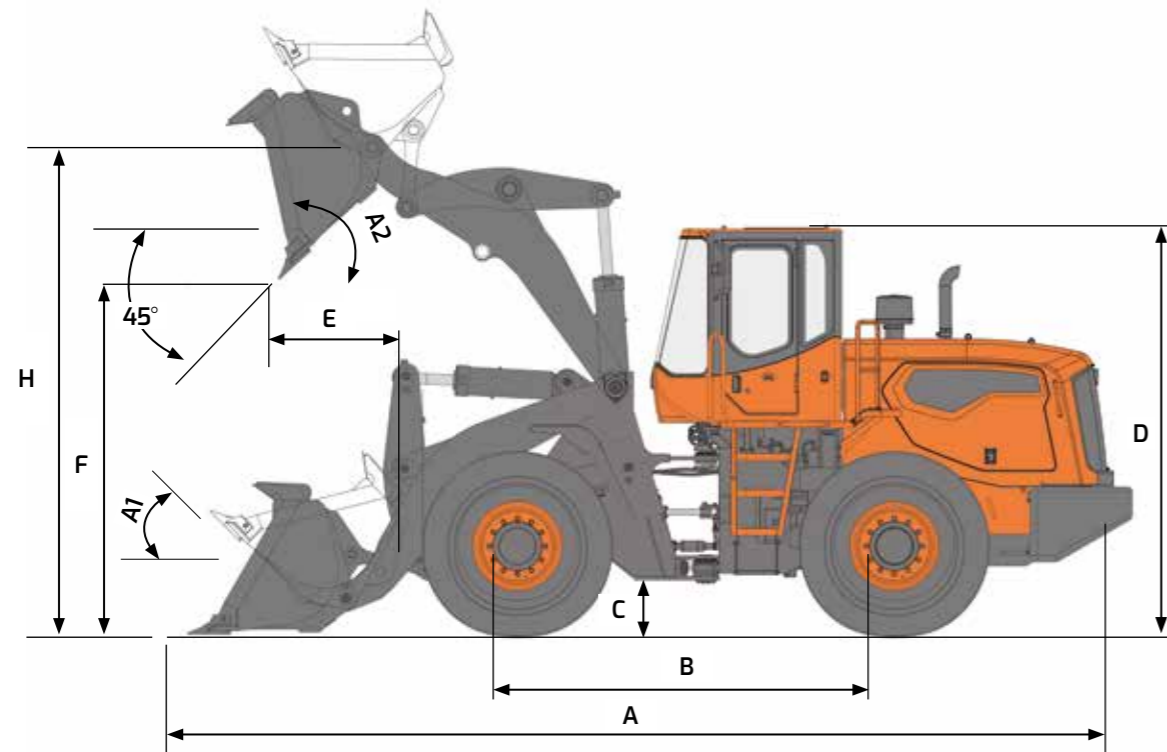
### ROTATING BEACON (OPTIONAL)

For enhanced safety rotating beacon is equipped SD380 and SD380-2 as optional, which gives the warning alarm while driving.





# TECHNICAL SPECIFICATION (SD380)



## ENGINE

Model	Weichai WP10G240E343 (T3)
Rated Power (SAE J1995 Gross)	178 kW (240 PS) @ 2,000 rpm
Max. Torque (SAE J1995 Gross)	1,100 N.m @ 1,300~1,500 rpm
Number of cylinders/bores/strokes	6 / 126 mm / 130 mm
Displacement	9,726 cc
Fuel Consumption	230 g/kWh @ rated speed

## TRANSMISSION

Type	4 speeds, power-shift, countershaft, engine remote mounted with propeller shaft & damper
Torque Converter Stall Ratio/Size	2.283 / 340 mm

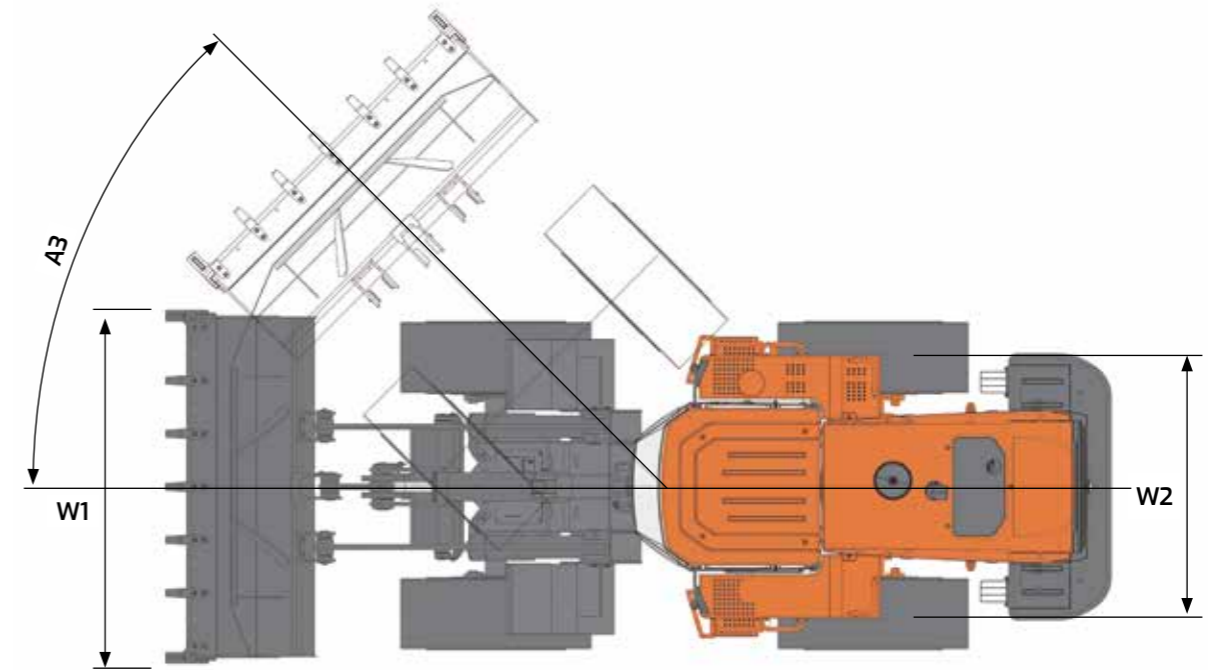
## HYDRAULIC SYSTEM

Main Pump Type	Fixed gear
Main Pump Displacement	104.9 cc/rev
Max. Flow Rate	206 l/min

## GENERAL SPECIFICATIONS

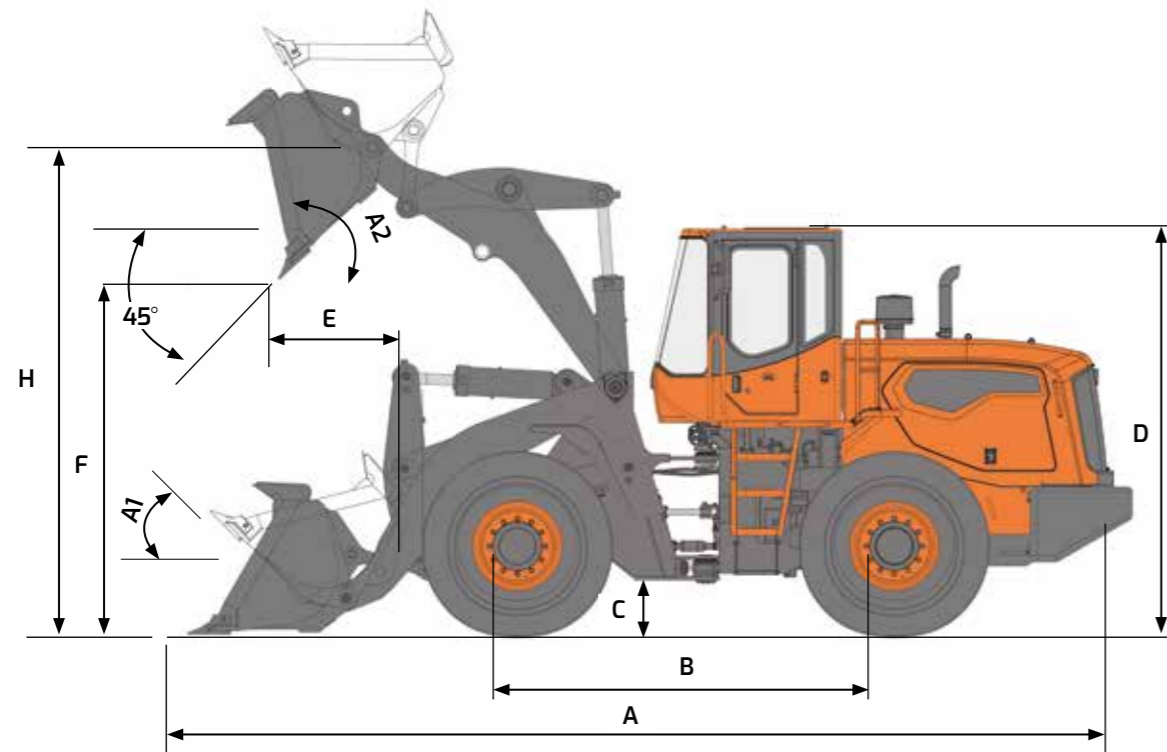
Operating Weight	18.9 ton
Bucket Capacity (SAE HEAPED)	3.7 m <sup>3</sup>
Payload	6 ton
Travel Speed (1/2/3/4)	6.7 / 12.5 / 23.4 / 35.1 km/h
Static Tipping Load (full turn)	14,800 kg
System Pressure (Work/Steer)	210/175 kg/cm <sup>2</sup>
Sound Level in CAB (2000/14/EC)	79.9 dB (A)
External Sound Power Level (2000/14/EC)	108.7 dB (A)
Fuel Tank Capacity	320 Litre
Axle Type	Fully Floating Planetary - Type Hub Drive
Tire Size	23.5-25-20 PR

# DIMENSIONS & WORKING RANGE (SD380)



ITEMS		UNIT	STD.	
Operating Weight		ton	19.8	
Bucket Capacity (SAE HEAPED)		m <sup>3</sup>	3.7	
Arm			LONG	
Breakout Force		ton	18.7	
Machine Dimensions (A*W1*D)		mm	8,540 * 3,035 * 3,450	
Dimension	Overall Length	A	mm	8,811
	Overall Width	W1	mm	3,026
	Overall Height	D	mm	3,450
	Ground Clearance	C	mm	416
	Wheel Base	B	mm	3,400
	Tread	W2	mm	2,250
	Working Range	Dump Height at 45° (with tooth)	F	mm
Dump Reach at 45° (with tooth)		E	mm	1,174
Max. Tilt Angle (on ground)		A1	degree (°)	46
Max. Tilt Angle (fully raised)			degree (°)	60
Max. Tilt Angle (at carry)			degree (°)	52.3
Height at bucket pivot point		H	mm	4,728
Max. Dump Angle (fully raised)		A2	degree (°)	47
Max. Steering Angle		A3	degree (°)	40
Turning radius (out tire edge)			mm	6,058
Digging Depth (0° level)			mm	235
Gradeability		% (°)	58 (30)	

# TECHNICAL SPECIFICATION (SD380-2)



## ENGINE

Model	Weichai WP10G240E341 (T3)
Rated Power (SAE J1995 Gross)	178 kW (240 ps) @ 2,200 rpm
Max. Torque (SAE J1995 Gross)	1,100 N.m @ 1,400-1,600 rpm
Number of cylinders/bores/strokes	6 / 126 mm / 130 mm
Displacement	9,726 cc

## TRANSMISSION

Type	2 Speed, Power-shift, Planet, Engine remote
Torque Converter Stall Ratio/Size	4.135 / 335 mm

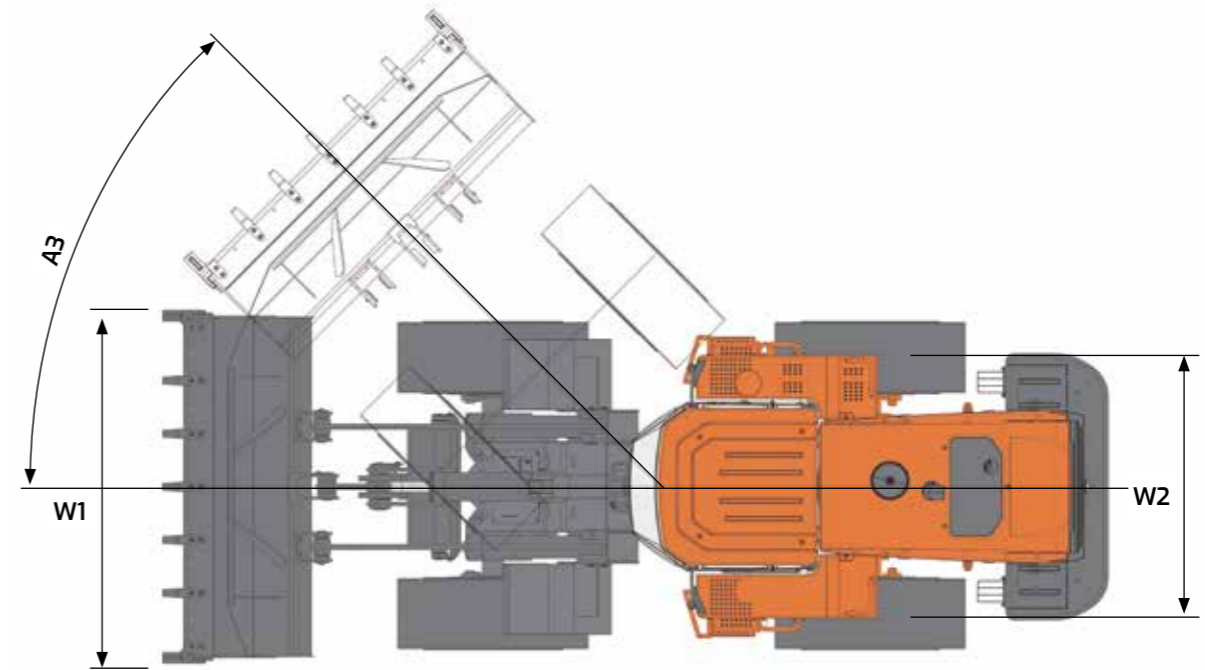
## HYDRAULIC SYSTEM

Main Pump Type	Fixed gear
Main Pump Displacement	100 cc/rev
Max. Flow Rate	218 l/min

## GENERAL SPECIFICATIONS

Operating Weight	19.8 ton
Bucket Capacity (SAE HEAPED)	3.7 m <sup>3</sup>
Payload	6 ton
Travel Speed (low/high)	11.9 / 38 km/h
Static Tipping Load (full turn)	14,800 kg
System Pressure (Work/Steer)	210/175 kg/cm <sup>2</sup>
Sound Level in CAB (ISO 6396)	82 dB (A)
External Sound Power Level (2000/14/EC)	111 dB (A)
Fuel Tank Capacity	320 Litre
Axle Type	Fully Floating Planetary - Type Hub Drive
Tire Size	23.5 - 25 - 20 PR

# DIMENSIONS & WORKING RANGE (SD380-2)



ITEMS		UNIT	STD.	
Operating Weight		ton	19.8	
Bucket Capacity (SAE HEAPED)		m <sup>3</sup>	3.7	
Arm			LONG	
Breakout Force		ton	18.7	
Dimension	Overall Length	A	mm	8,811
	Overall Width	W1	mm	3,026
	Overall Height	D	mm	3,450
	Ground Clearance	C	mm	416
	Wheel Base	B	mm	3,400
	Tread	W2	mm	2,250
Working Range	Dump Height at 45° (with tooth)	F	mm	3,625
	Dump Reach at 45° (with tooth)	E	mm	1,174
	Max. Tilt Angle (on ground)	A1	degree (°)	46
	Max. Dump Angle (fully raised)	A2	degree (°)	47
	Max. Tilt Angle (fully raised)		degree (°)	60
	Max. Tilt Angle (at carry)		degree (°)	52.3
	Height at bucket pivot point	H	mm	4,728
	Digging Depth (0° level)		mm	235
	Max. Steering Angle	A3	degree (°)	40
Turning radius (out tire edge)		mm	6,058	
Gradeability		% (°)	58 (30)	